

# Door Bottom Sealer

*Energy Saving*

*Safety*

*Comfortable*



The ecological door bottom sealer prevent escaping air cooled by the air conditioner in the summer and warmed by the heater in the winter.



Two types model as below

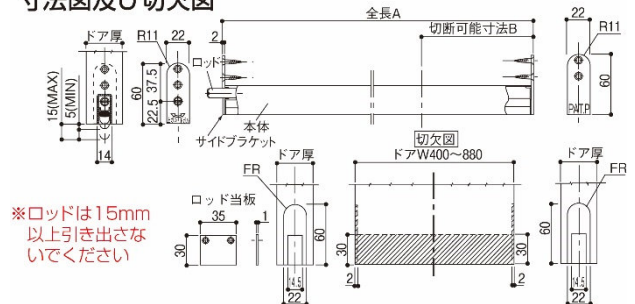
## Bottom sealer I (Standard model)

### Function

Automatic Air seal

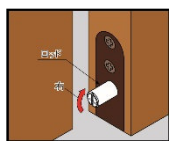
| Item number     | dimension A | Available cutting dimension B |
|-----------------|-------------|-------------------------------|
| TK Bottom1-600  | 400 - 600   | 200                           |
| TK Bottom1-880  | 600 - 880   | 280                           |
| TK Bottom1-1000 | 880 - 1000  | 120                           |

### 寸法図及び切欠図



## Bottom sealer III (with Locking model)

### Function



ON  
(Automatic air seal)



OFF  
(To keep rubber UP)

**TK TAKACHIHO KOHEKI (H.K) LIMITED**

URL. [www.takachiho-asia.com](http://www.takachiho-asia.com)

TEL . 852-2730-3334

# Door Stopper

*universal  
design*

*Safety*

*Comfortable*



Door stoppers prevent the door from bouncing back when it is opened. The thin, simple universal design uses magnets.



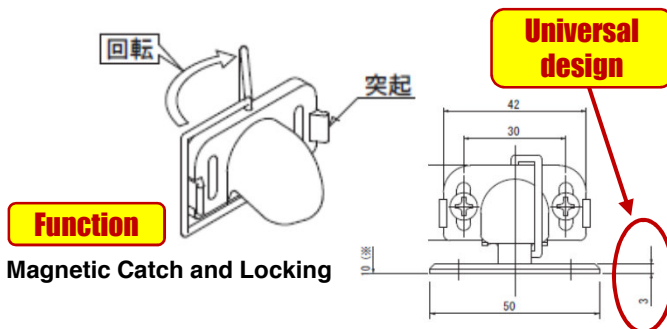
Push Lock type



Standard type

Two types model as below

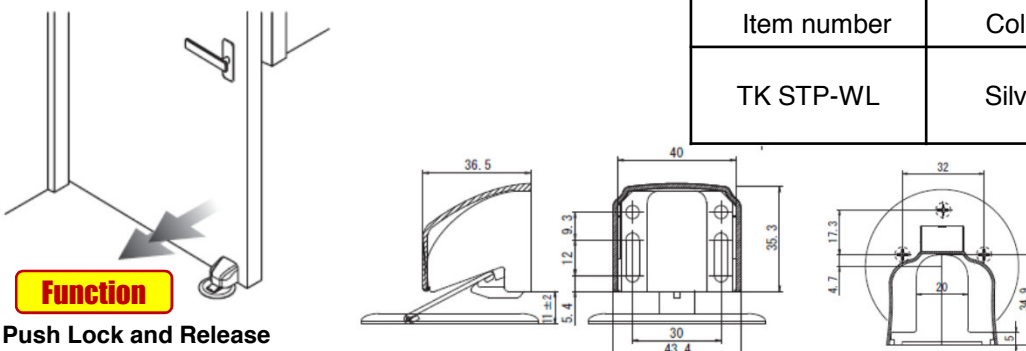
## Door Stopper (Standard model)



**Function**  
Magnetic Catch and Locking

| Item number   | Color  | Picture |
|---------------|--------|---------|
| TK STP-Umber  | Umber  |         |
| TK STP-Gold   | Gold   |         |
| TK STP-Silver | Silver |         |

## Door Stopper (with Push Lock)



**Function**  
Push Lock and Release

| Item number | Color  | Picture |
|-------------|--------|---------|
| TK STP-WL   | Silver |         |